

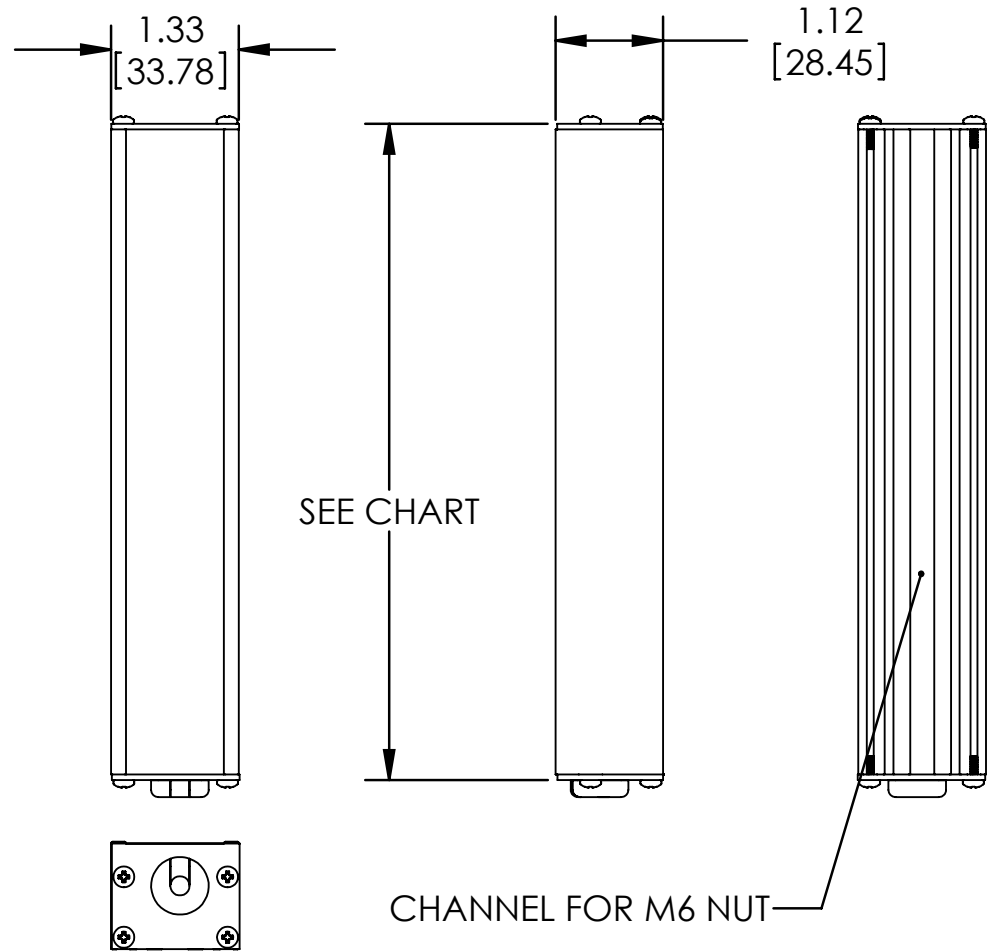
EL150 LENGTH CHART SINGLE CABLE

PART NUMBER	LENGTH
EL150030	5.58 [141.73]
EL150036	6.60 [167.64]
EL150042	7.62 [193.55]
EL150048	8.64 [219.46]
EL150060	10.68 [271.27]
EL150066	11.70 [297.18]
EL150072	12.72 [323.09]
EL150078	13.75 [349.25]
EL150084	14.77 [375.16]
EL150090	15.79 [401.07]
EL150096	16.81 [426.97]
EL150102	17.83 [452.88]
EL150108	18.85 [478.79]
EL150114	19.87 [504.70]

DUAL CABLE

PART NUMBER	LENGTH
EL150126	21.91 [556.51]
EL150132	22.93 [582.42]
EL150138	23.95 [608.33]
EL150144	24.96 [633.98]
EL150156	27.01 [686.05]
EL150168	29.05 [737.87]
EL150180	31.09 [789.69]
EL150192	33.13 [841.50]
EL150204	35.17 [893.32]
EL150216	37.21 [945.13]
EL150228	39.26 [997.20]
EL150240	41.30 [1049.02]

REVISIONS			
REV.	DESCRIPTION	DATE	DCN NO



PROPRIETARY AND CONFIDENTIAL
 THESE DRAWINGS AND SPECIFICATIONS ARE THE EXCLUSIVE PROPERTIES OF ADVANCED ILLUMINATION INCORPORATED ISSUED IN STRICT CONFIDENCE AND SHALL NOT, WITHOUT THE PRIOR WRITTEN PERMISSION OF ADVANCED ILLUMINATION INC BE REPRODUCED, COPIED OR USED FOR ANY PURPOSE WHATSOEVER EXCEPT THE MANUFACTURE OF ARTICLES FOR ADVANCED ILLUMINATION INC

		UNLESS OTHERWISE SPECIFIED: SURFACE SHOULD BE FREE OF SCRATCHES, BURRS, AND DENTS DIMENSIONS ARE IN: INCHES <u>TOLERANCES</u> FRACTIONAL ± 1/16 ANGULAR: MACH ± 1 BEND ± 1 TWO PLACE DECIMAL ± .010 THREE PLACE DECIMAL ± .005 MAKE FROM --	DATE 11/20/08	NAME --
			CHECKED --	
			APPROVED --	
			MATERIAL --	
			FINISH --	
NEXT ASSY	USED ON			
APPLICATION				

ADVANCED ILLUMINATION 24 PEAVINE DRIVE, ROCHESTER, VERMONT 05767			
TITLE: DWG, INST, EL150			
SIZE	DWG. NO.	REV	
A	--	--	
SCALE: 1:2	C CODE:	SHEET 1 OF 1	