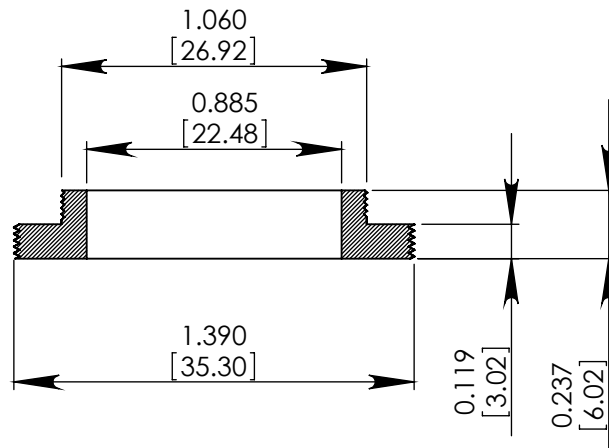
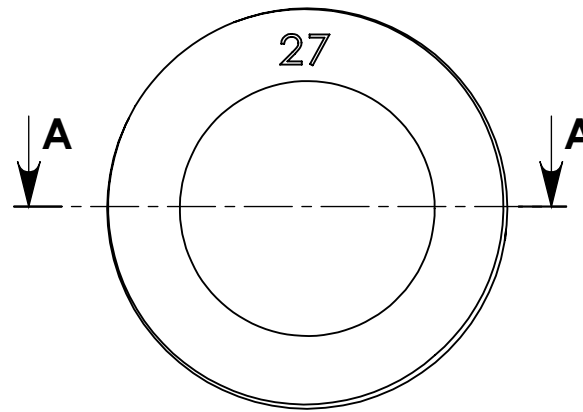


REVISIONS			
REV.	DESCRIPTION	DATE	DCN NO

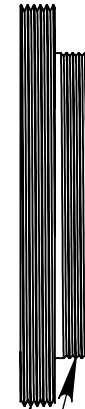


SECTION A-A



35.5MM X .05MM THREADING

27MM X .05MM THREADING



PROPRIETARY AND CONFIDENTIAL
 THESE DRAWINGS AND SPECIFICATIONS ARE THE EXCLUSIVE PROPERTIES OF ADVANCED ILLUMINATION INCORPORATED ISSUED IN STRICT CONFIDENCE AND SHALL NOT, WITHOUT THE PRIOR WRITTEN PERMISSION OF ADVANCED ILLUMINATION INC BE REPRODUCED, COPIED OR USED FOR ANY PURPOSE WHATSOEVER EXCEPT THE MANUFACTURE OF ARTICLES FOR ADVANCED ILLUMINATION INC

		UNLESS OTHERWISE SPECIFIED:		DATE	NAME
		SURFACE SHOULD BE FREE OF SCRATCHES, BURRS, AND DENTS	DRAWN	-	-
		DIMENSIONS ARE IN: INCHES	CHECKED	--	--
		<u>TOLERANCES</u>	APPROVED	--	--
		FRACTIONAL ± 1/16	MATERIAL	-	
		ANGULAR: MACH ± 1 BEND ± 1	FINISH	-	
		TWO PLACE DECIMAL ± .010			
		THREE PLACE DECIMAL ± .005			
NEXT ASSY	USED ON	MAKE FROM			
APPLICATION					

ADVANCED ILLUMINATION		
24 PEAVINE DRIVE, ROCHESTER, VERMONT 05767		
TITLE: Drawing Installation 27mm-35.5mm Adaptor Ring		
SIZE	DWG. NO.	REV
A	-	-
SCALE: NTS C CODE: -		SHEET 1 OF 1