

## AL084 High Brightness Area Light

- 4i)** Intense illumination for long working distances or large area applications.
- 4i)** Space saving design features mounting via two M6 nut channels



### Ordering Information

Standard Product:  
Shipped Next Day

Standard Product Variation:  
Shipped Within Two Weeks

#### AL084-WHI24

Configured for use with user  
supplied 24v power

AL084 -	XXX	XX	X	XXX
	Spectral wavelength	Optional power compatibility	Optional Light Conditioning	Alternative Connector
(blue)	470 <sup>†</sup>	IC	D° (Diffuser)	M12*
(green)	530 <sup>†</sup>	IS	P° (Polarizer)	
(amber)	590	C2		
(red)	625	C3		
(white)	WHI	C5		
(infrared)	850 <sup>†</sup>	24		

IC = ICS (requires 24v power supply)

IS = ISU (requires 24v power supply)

C2 = Ai Connector

C3 = Pulsar 710 Connector

C5 = Pulsar 320 Connector

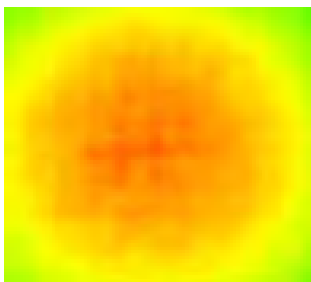
\* Available with IC and 24v options only

° - Not available with Wash Down Option

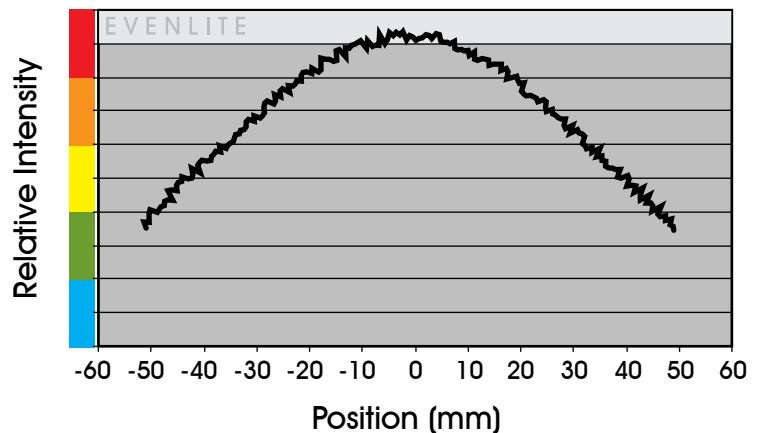
**Optimal working distance:**  
152.4mm (6") - 609.6mm (24")

### Light Consistency Information

Intensity Distribution

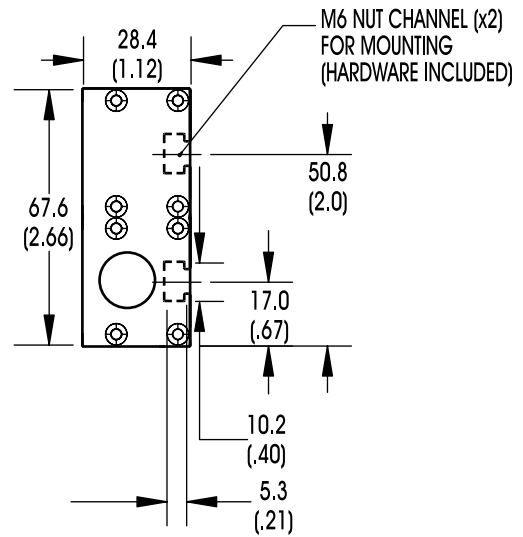
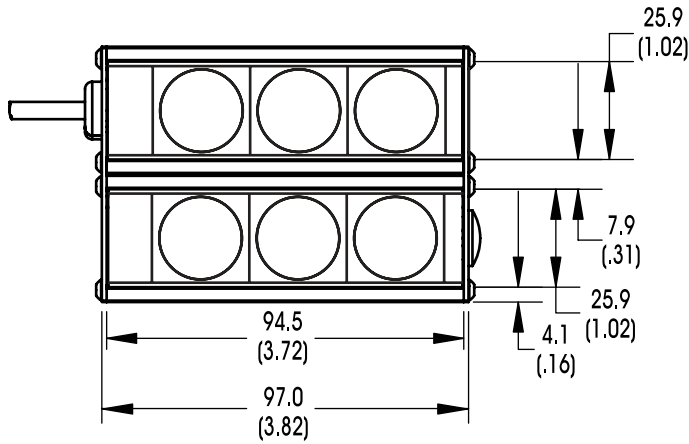


Intensity Cross Section



Dimensional Information

[Click for Installation Models & Drawings](#)



Cable Length: 1.5 Meter (59")

DIMENSIONS ARE IN MILLIMETERS (INCHES)

Standard Variation Current Specifications

	uv	blue	green	amber	red	infra-red	white	
@24	350	350	350	350	350	350	350	mA

General Specifications

Weight:	226.8 g (8oz)
Finish:	Black Anodized
Operating Temperature:	0-60°C
Meets Specifications:	CE, RoHS

Standard Product Information

Red	Max. Illumination	Irradiance (mW/cm <sup>2</sup> )	Illuminance (Lux)
	Working Distance: 300mm	320	5,800
	Working Distance: 600mm	125	2,200
	Lifetime	50,000 hrs	
White	Max. Illumination	Irradiance (mW/cm <sup>2</sup> )	Illuminance (Lux)
	Working Distance: 300mm	525	21,400
	Working Distance: 600mm	180	7,400
	Lifetime	50,000 hrs	

Additional Information