

# BL0808

## 8" x 8" Surface Mount LED Back Light



- 4i)** Extremely consistent light over the entire active area of illumination.
- 4i)** Integral M6 nut channel for easy mounting.

### Ordering Information

Standard Product:  
Shipped Next Day

**BL0808-66024**

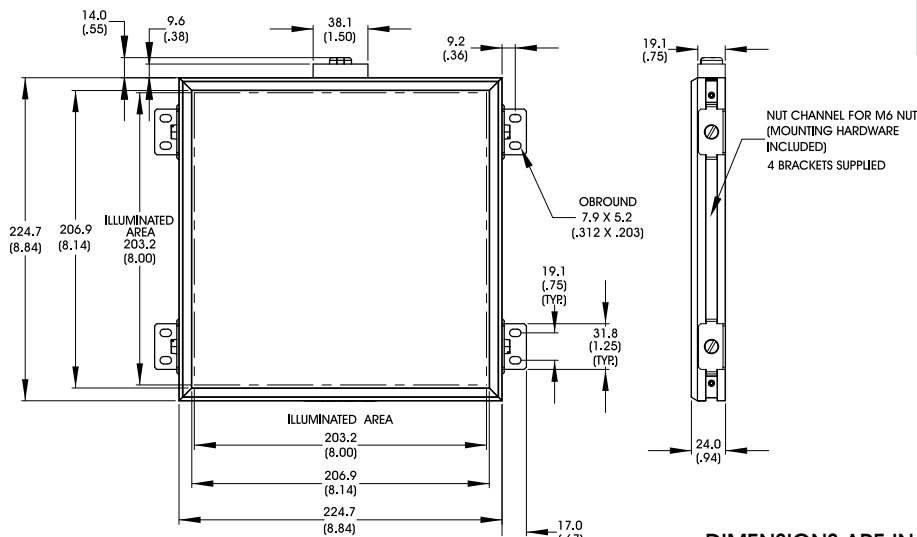
Configured for use with user supplied 24vDC Power Supply

Standard Product Variation:  
Shipped Within Two Weeks

BL 08 08	-	Spectral wavelength Optional power Compatibility XXX	XX	Alternative Connector XXX
		(blue) 470†	IC	M12*
		(green) 520†	C3	
		(red) 660⊗	C5	
		(infra-red) 880⊗	12	
		(white) WHI†	24	

IC = iCS (requires 24v power supply)  
 C2 = Ai Connector  
 C3 = Pulsar 710 Connector  
 C5 = Pulsar 320 Connector  
 \* Available with IC, IS, and 24v options only  
 † Not available in 12v  
 ⊗ ICS not available

### Dimensional Information



[Click for Installation Models & Drawings](#)

DIMENSIONS ARE IN MILLIMETERS (INCHES)

Standard Variation Current Specifications						
	blue	green	red	infra-red	white	
@12	N/A	N/A	3.84	3.84	N/A	A
@24	1.28	1.28	1.92	1.92	1.28	A

Standard Product Information	
Product Lifetime:	50,000 hours
Operating Temperature:	0-60° C