

BL5420 Back Light



Aii Available in 4mm or 20mm spot sizes

Aii Can be used as a diffuse light source

Ordering Information

Standard Product:
Shipped Next Day

Standard Product Variation:
Shipped Within Two Weeks

BL5420-660

Configured for use with Ai
Power Supply

	Spectral wavelength	Field of view (mm)	Optional power Compatibility	Alternative Connector
BL5420	XXX	XX	XX	XXX
	(UV) 395 [∞]	4	IS	M12*
	(blue) 470 †	20	C2	
	(green) 520 †		C3	
	(yellow) 590		12	
	(orange) 625		24	
	(red) 660			
	(infra-red) 880			
	(White) WHI †			

IS = ISU (requires 24v power supply)

C2 = Ai Connector

C3 = Pulsar 710 Connector

C5 = Pulsar 320 Connector

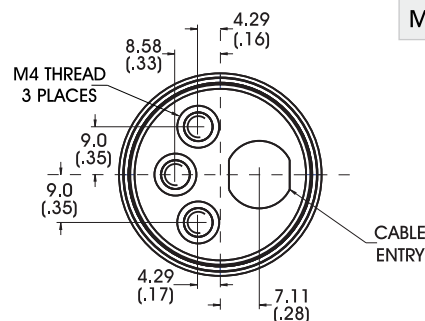
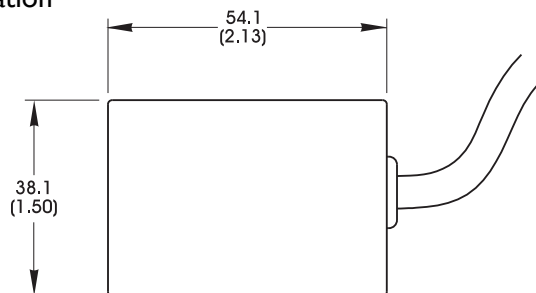
* Available with 24v option only

† Not available in 12v

∞ Not available in 24v

◇ UV LEDs have a considerably shorter half-life than other LEDs (<1000hrs). For this reason Ai recommends these LEDs be used in strobe mode only. For applications requiring continuous 24v power, contact Ai for assistance.

Dimensional Information



[Click for Installation Models & Drawings](#)

DIMENSIONS ARE IN MILLIMETERS (INCHES)

Standard Variation Current Specifications

	blue	green	yellow	orange	red	infra-red	white	
(4mm FOV) @ 12v	N/A	N/A	40	40	60	75	N/A	mA
(4mm FOV) @ 24v	20	20	20	20	30	40	40	mA
(20mm FOV) @ 12v	N/A	N/A	80	80	120	130	N/A	mA
(20mm FOV) @ 24v	75	75	40	40	60	80	75	mA

Standard Product Information

Product Lifetime: 50,000 hours

Operating Temperature: 0-60° C