

CB0404

4" x 4" Collimated Surface Mount LED Back Light

- Aii** Greatly improves edge detection for curved surfaces
- Aii** Integrated M6 nut channel for mounting (hardware included)



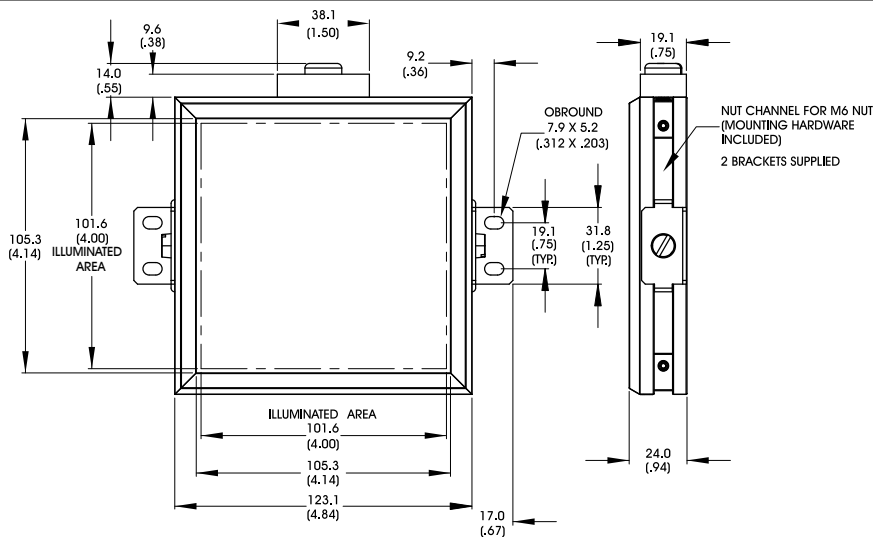
Ordering Information

Standard Product:
Shipped Next Day
CB0404-WHIIC
Configured with inline
Current Source

Standard Product Variation: Shipped Within Two Weeks	Spectral wavelength	Optional power Compatibility	Alternative Connector
CB0404 -	XXX	XX	XXX
(blue)	470 †	IC	M12*
(green)	520 †	IS	
(red)	660 ⊖	C2	
(infra-red)	880 ⊖	C3	
(white)	WHI †	C5	
		12	
		24	

IC = iCS (requires 24v power supply)
IS = ISU (requires 24v power supply)
C2 = Ai Connector
C3 = Pulsar 710 Connector
C5 = Pulsar 320 Connector
* Available with IC and 24v options only
† Not available in 12v
⊖ IS option not available

Dimensional Information



[Click for Installation Models & Drawings](#)

Cable Length: 1.5 Meter (59")

DIMENSIONS ARE IN MILLIMETERS (INCHES)

Standard Variation Current Specifications

	blue	green	red	infra-red	white	
@12	N/A	N/A	960	960	N/A	mA
@24/Ai	320	320	480	480	320	mA

Standard Product Information

Product Lifetime:	50,000 hours
Operating Temperature:	0-60° C