

# DL097

## High Brightness LED Diffuse Dome



**Aii** 3x brighter than standard LEDs in the DL9160 dome

**Aii** Rugged metal construction.

### Ordering Information

Standard Product:  
Shipped Next Day

Standard Product Variation:  
Shipped Within Two Weeks

#### DL097-WHIIC

Configured with in-line current source (ICS)

#### DL097-625IC

Configured with in-line current source (ICS)

**Optimal working distance:**

25.4mm (1")

**Effective Working Range:**

12.7-50mm (.5"-2")

		Spectral wavelength		Alternative Connector
			Optional power compatibility	
DL097	-	XXX	XX	XXX
	(blue)	470	IC	M12*
	(green)	530	IS	
	(amber)	590	C2	
	(red)	625	C3	
	(IR)	850	C5	
	(white)	WHI		

IC = ICS (requires 24v power supply)

IS = ISU (requires 24v power supply)

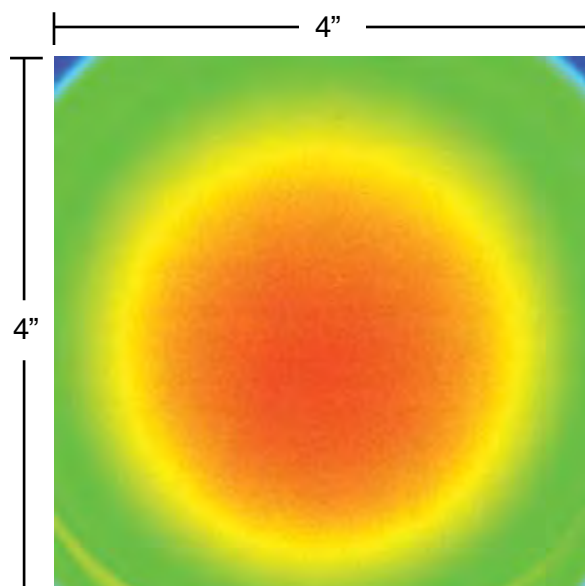
C2 = Ai Connector

C3 = Pulsar 710 Connector

C5 = Pulsar 320 Connector

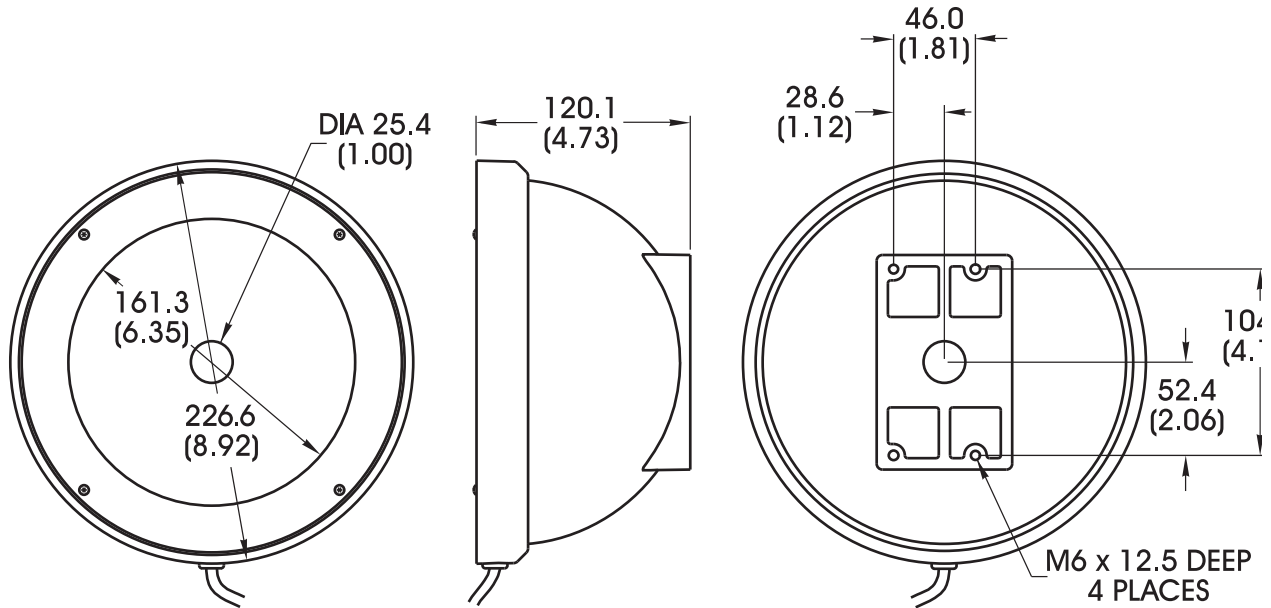
\* Available with IC option only

### Intensity Distribution



Dimensional Information

[Click for Installation Models & Drawings](#)



Cable Length: 2 Meters (78")

Includes Mounting Bracket (Part # CB013)

DIMENSIONS ARE IN MILLIMETERS (INCHES)

Standard Variation Current Specifications

	blue	green	amber	red	infra-red	white	
Ai / iCS	700	700	700	700	700	700	mA

Standard Product Information

Red	Max. Illumination	Irradiance (mW/cm <sup>2</sup> )	Illuminance (Lux)
	Working Distance: 25mm (1")	3.25	7,700
	Lifetime	50,000 hrs	

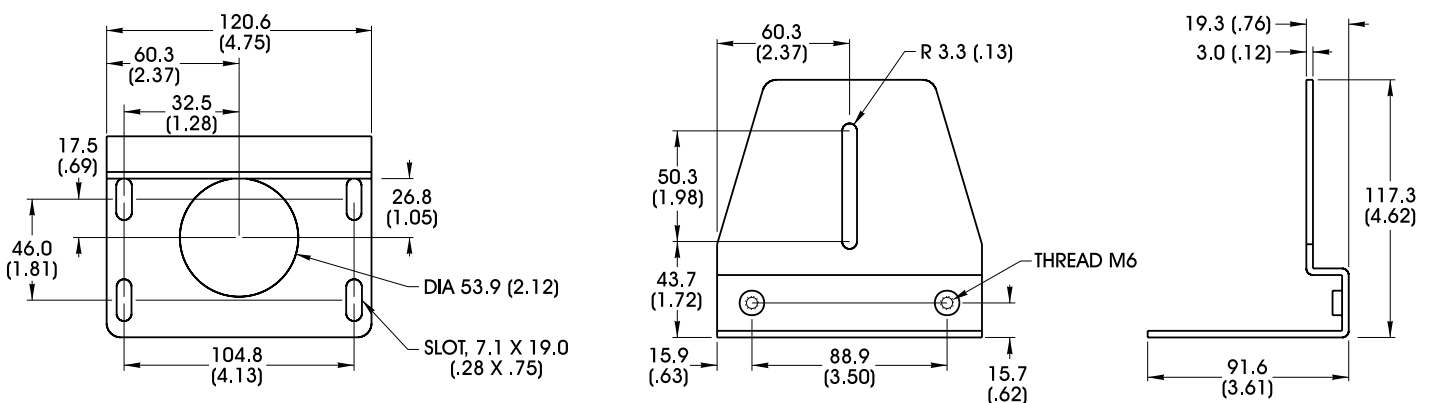
White	Max. Illumination	Irradiance (mW/cm <sup>2</sup> )	Illuminance (Lux)
	Working Distance: 25mm (1")	3.48	15,300
	Lifetime	50,000 hrs	

General Specifications

Weight:	1,728 g (60.8 oz)
Finish:	Black Anodized
Operating Temperature:	0-60°C
Meets Specifications:	CE, RoHS

Additional Information

Mounting Bracket Dimensions:



802.767.3830