

DL38144

4" x 4" Axial Diffuse Illuminator



Aii Even illumination over the full 100mm x 100mm field of view.

Aii Designed for large object inspection of specular objects.

Ordering Information

Standard Product:
Shipped Next Day

DL38144-660°

Configured for use with Ai
Power Supply

° Standard product requires
a dual output power supply.

Optimal working distance:
25.4mm (1")
Effective Working Range:
12.7-50mm (.5"-2")

Standard Product Variation:
Shipped Within Two Weeks

	Spectral wavelength	Optional power Compatibility	Optional light Conditioning	Alternative Connector
DL38144 -	XXX	XX	X	XXX
	(UV) 395 [◇]	IC	D (Diffuser)	M12*
	(blue) 470 [†]	IS [∞]		
	(green) 520 [†]	C2		
	(yellow) 590 [†]	C3		
	(orange) 625 [†]	C5		
	(red) 660	12		
	(infra-red) 880	24		
	(white) WHI [†]			

IC = iCS (requires 24v power supply)

IS = iSU (requires 24v power supply)

C2 = Ai Connector

C3 = Pulsar 710 Connector

C5 = Pulsar 320 Connector

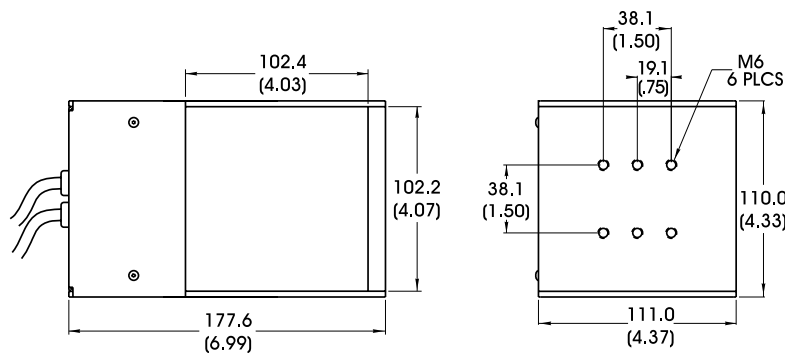
* Available with IC and 24v options only

† Not available in 12v

∞ - Dual cable light requires dual ISUs

◇ UV LEDs have a considerably shorter half-life than other LEDs (<1000hrs). For this reason Ai recommends these LEDs be used in strobe mode only. For applications requiring continuous 24v power, contact Ai for assistance.

Dimensional Information



[Click for Installation Models & Drawings](#)

DIMENSIONS ARE IN MILETERS (INCHES)

Standard Variation Current Specifications

	blue	green	yellow	orange	red	infra-red	white	RGB	
@12	N/A	N/A	N/A	N/A	540	810	N/A	N/A	mA
@24	480	480	450	450	460	380	480	N/A	mA

Standard Product Information

Product Lifetime: 50,000 hours

Operating Temperature: 0-60° C