

DL7248

Diffuse Dome Light



- Aii** Rugged construction
- Aii** A modified, extremely efficient integrating light source
- available in RGB "all color" version.

Ordering Information

Standard Product:
Shipped Next Day

DL7248

P/N: DL7248-660
Configured for use with Ai
Power Supply

Standard Product Variation:
Shipped Within Two Weeks

		Spectral wavelength	Optional power Compatibility
DL7248	-	XXX	XX
		(UV) 395*	IC
		(blue) 470†	12
		(green) 520†	24
		(yellow) 590	
		(orange) 625	
		(red) 660	
		(infra-red) 880	
		(White) WHI†	
		(all color) RGB†	

Optimal working distance:
12.7mm (.5")
Effective Working Range:
12.7-50mm (.5"-2")

*UV LEDs have a considerably shorter half-life than other LEDs (<1000hrs). For this reason Ai recommends these LEDs be used in strobe mode only. For applications requiring continuous 24v power, contact Ai for assistance.

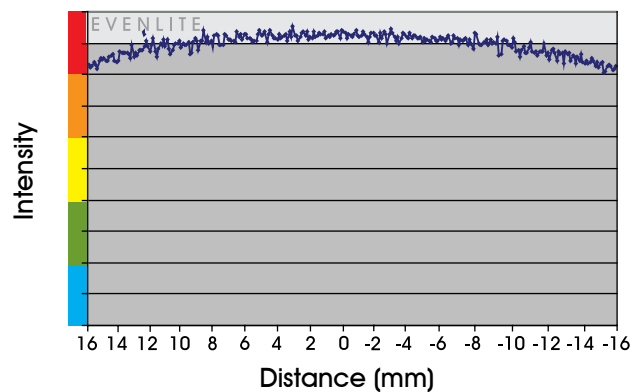
† Not available in 12v

Light Consistency Information

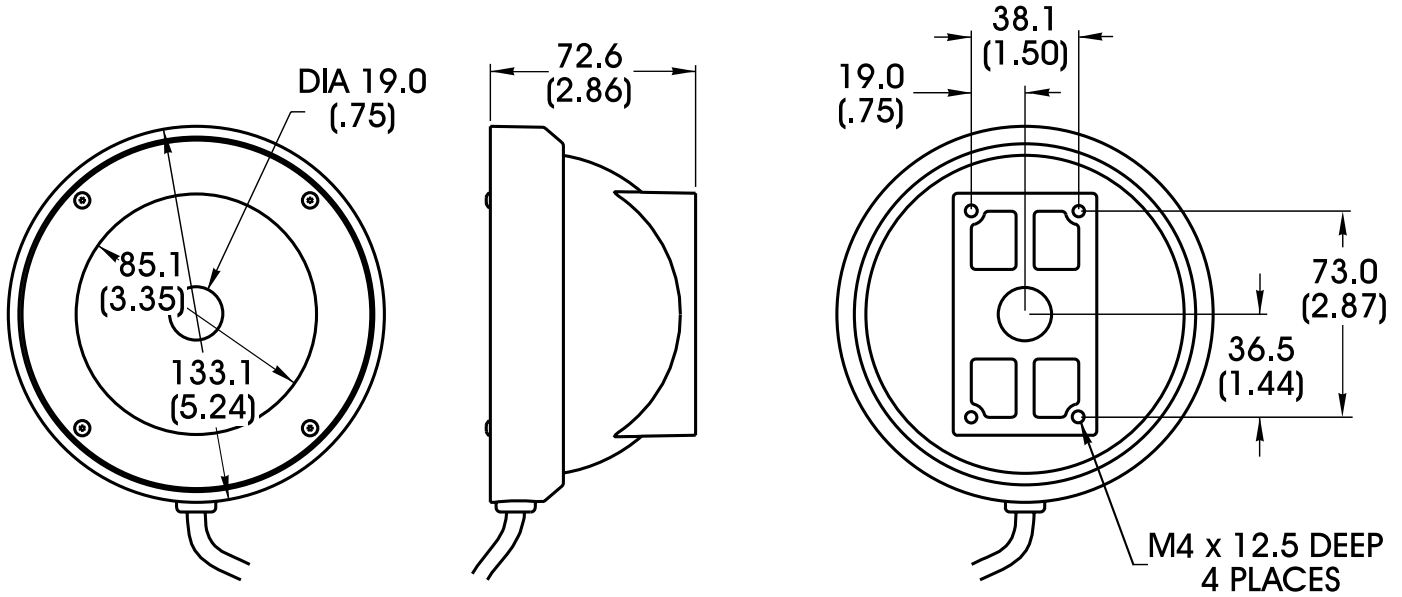
Intensity Distribution



Intensity Cross Section



Dimensional Information



Includes Mounting Bracket (Part # CB010)

DIMENSIONS ARE IN MILLIMETERS (INCHES)

Standard Variation Current Specifications

	blue	green	yellow	orange	red	infra-red	white	RGB	
@12	N/A	N/A	240	240	240	240	N/A	N/A	mA
@24	240	240	120	120	120	120	240	210	mA
Ai	240	240	220	220	220	220	240	310	

Standard Product Information

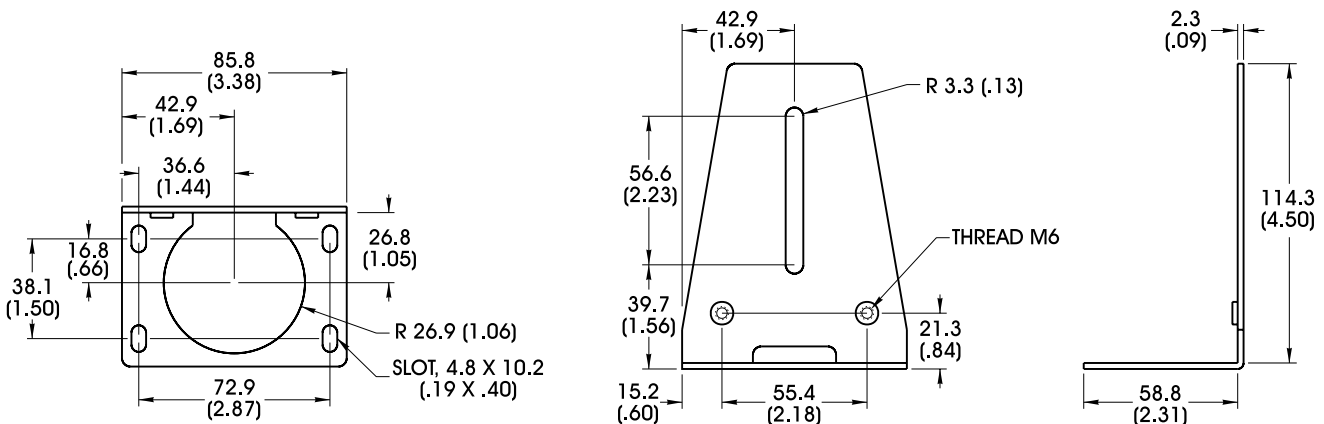
Red	Max. Illumination	Irradiance (mW/cm ²)	Illuminance (Lux)
	Working Distance: 12.5mm	2.20	1,220
	Working Distance: 25.4mm	1.70	960
	Lifetime	50,000 hrs	
White	Max. Illumination	Irradiance (mW/cm ²)	Illuminance (Lux)
	Working Distance: 12.5mm	1.43	5,680
	Working Distance: 25.4mm	1.08	4,230
	Lifetime	10,000 hrs	

General Specifications

Weight: 662.2 g (23.4 oz)
 Finish: Painted
 Operating Temperature: 0-60°C
 Meets Specifications: CE, RoHS

Additional Information

Mounting Bracket dimensions:



802.767.3830