

LL6212

High Intensity Line Light



- 4i) Intense illumination for long working distanced or large area applications.
- 4i) Works great in pairs to create a square area of illumination.

Ordering Information

Standard Product:
Shipped Next Day

LL6212-WHIIC

Configured with in-line Current Source

Standard Product Variation:
Shipped Within Two Weeks

[Click for Installation Models & Drawings](#)

	Lens Option ^	Spectral wavelength	Optional power compatibility	Heat Sink	Wash Down Option	Optional Light Conditioning	Alternative Connector
LL6212	X	- XXX	X	X	X	X	XXX
	N	(blue) 470	IC	H	W	D° (Diffuser)	M12*
	W	(green) 530 (amber) 590 (red) 625 (infra-red) 850 △	IS 24 C2 C3 C5			P° (Polarizer)	

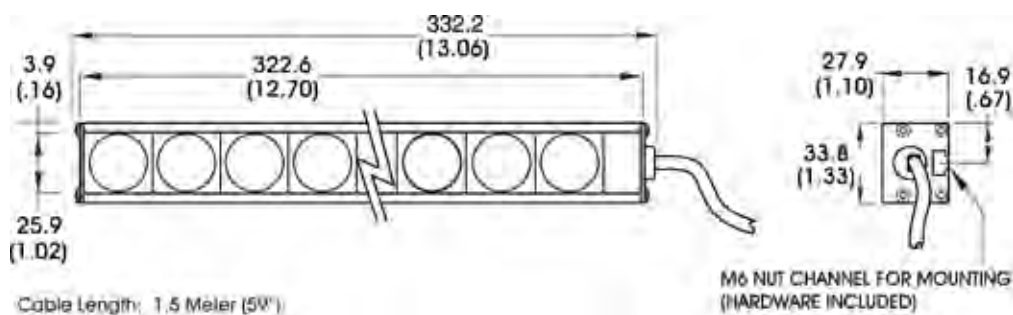
Optimal working distance:

152.4mm (6") - 600mm (24")

^ Leave blank for Standard, Medium (M) Lens

IC = iCS (requires 24v power supply)
 IS = iSU (requires 24v power supply)
 C2 = Ai Connector
 C3 = Pulsar 710 Connector
 C5 = Pulsar 320 Connector
 * Available with IC and 24v options only
 ° - Not available with Wash Down Option
 △ Available with Medium lens option only

Dimensional Information



DIMENSIONS ARE IN MILLIMETERS (INCHES)

Standard Variation Current Specifications

	blue	green	amber	red	infra-red	white	
@12	1400	1400	1400	1400	1400	1400	mA
@24	700	700	700	700	700	700	mA

Standard Product Information

Product Lifetime: 50,000 hours

Operating Temperature: 0-60° C