

# RL113

## High Brightness LED Bright Field Ring Light

**Aii** High intensity from a long working distance

**Aii** IP65 compliant design



### Ordering Information

Standard Product:  
Shipped Next Day

#### RL113-WHIIC

Configured with in-line  
current source

Standard Product Variation:  
Shipped Within Two Weeks

	Spectral wavelength	Optional power compatibility	Alternative Connector
RL113 -	XXX	XX	XXX
(blue)	470	IC	M12*
(green)	530	IS	
(red)	625	C2	
(IR)	850	C3	
(white)	WHI	C5	
		24	

IC = ICS (requires 24v power supply)

IS = ISU (requires 24v power supply)

C2 = Ai Connector

C3 = Pulsar 710 Connector

C5 = Pulsar 320 Connector

\* Available with IC, IS, and 24v options only

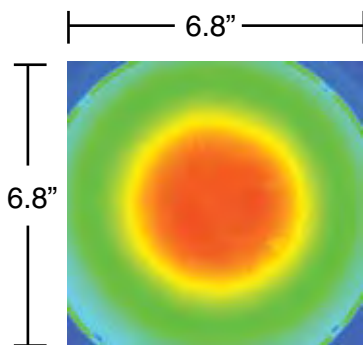
#### Optimal working distance:

300mm (12")

#### Effective Working Range:

225mm - 600mm (9" - 24")

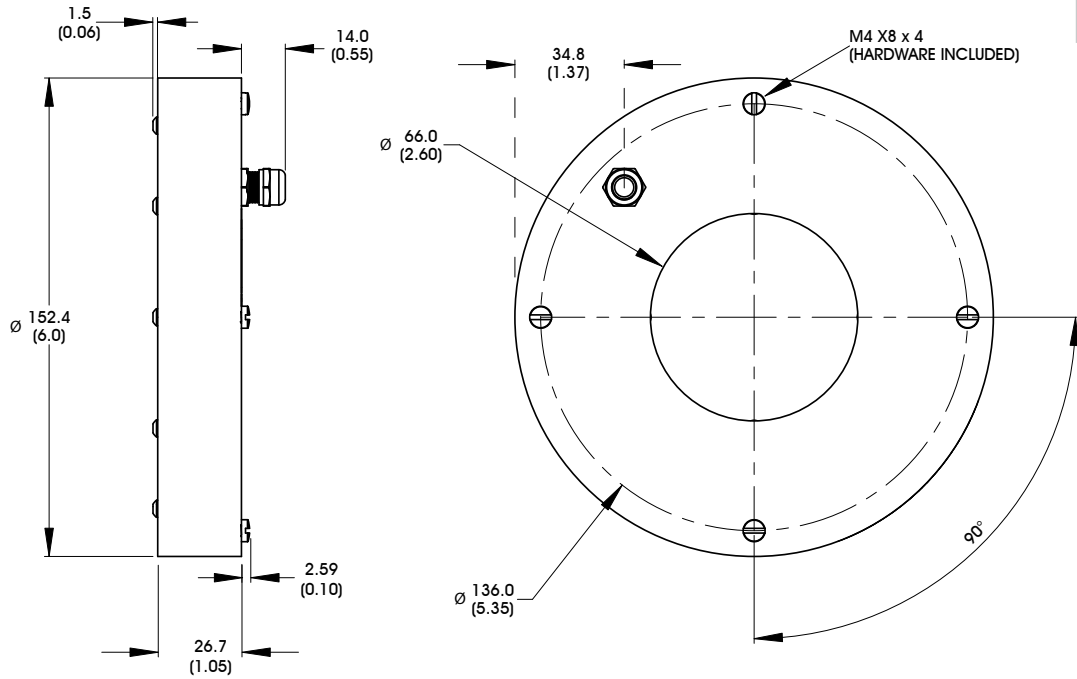
### Intensity Distribution



Working Distance: 300mm (12")

## Dimensional Information

Click for Installation Models & Drawings



Cable Length: 2 Meters (78")  
Find installation models at [advancedillumination.com/drawandmodels.html](http://advancedillumination.com/drawandmodels.html)

DIMENSIONS ARE IN MILLIMETERS (INCHES)

### Standard Variation Current Specifications

	blue	green	red	infra-red	white	
Ai / iCS	700	700	700	700	700	mA

### Standard Product Information

Red	Max. Illumination	Irradiance (mW/cm <sup>2</sup> )	Illuminance (Lux)
	Working Distance: 300mm (12")	2.6	5,200
	Lifetime	50,000 hrs	

White	Max. Illumination	Irradiance (mW/cm <sup>2</sup> )	Illuminance (Lux)
	Working Distance: 300mm (12")	3.5	14,500
	Lifetime	50,000 hrs	

### General Specifications

Weight:	680.4 g (1.5 lb)
Finish:	Black Anodized
Operating Temperature:	0-60°C
Meets Specifications:	CE, RoHS

### Additional Information

