

RL121

High Brightness Ring Light



- Aii** 2.95" O.D. ring light provides high intensity illumination
- Aii** Very low profile - .56"
- Aii** Optional adapter rings for camera lens mounting

Ordering Information

Standard Product:
Shipped Next Day

RL121-WHIIC

Configured with inline
Current Source

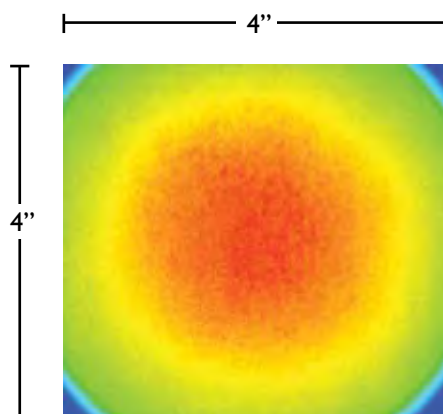
Standard Product Variation:
Shipped Within Two Weeks

	Spectral wavelength		Optional Light Conditioning	
RL121	-	XXX	XX	X
		(white) WHI	IC IS C2 C3 C5 24	D (diffuser) P (polarizer)
				Alternative Connector XXX M12*

IC = iCS (requires 24v power supply)
IS = iSU (requires 24v power supply)
C2 = Ai Connector
C3 = Pulsar 710 Connector
C5 = Pulsar 320 Connector
* Available with IC, IS, and 24v options only

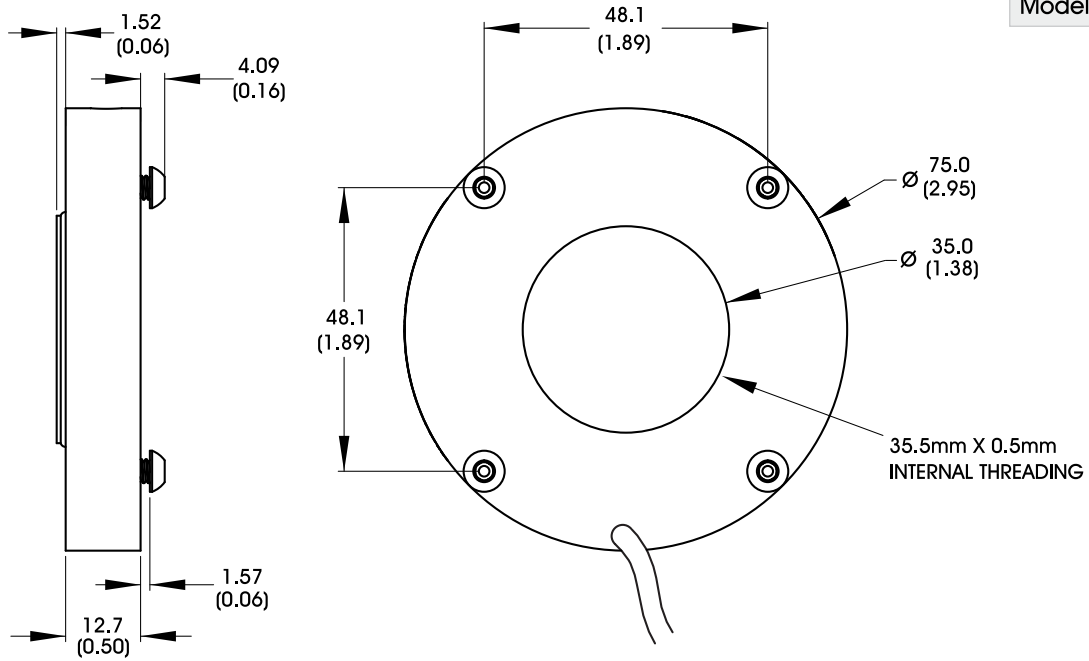
Effective Working Range:
75mm - 150mm (3.0 - 6.0")

Intensity Distribution (from 6")



Dimensional Information

[Click for Installation Models & Drawings](#)



Cable Length: 1.5M (59")

DIMENSIONS ARE IN MILLIMETERS (INCHES)

Find installation models at advancedillumination.com/drawandmodels.html

Current Requirements

24v white 250 mA

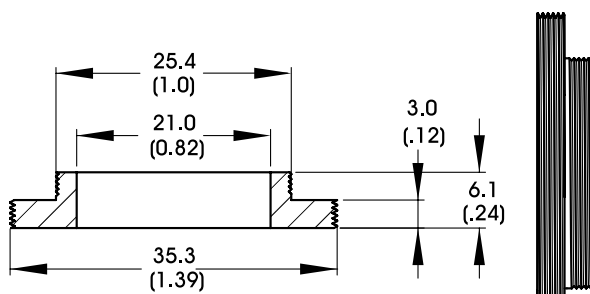
General Specifications

Weight: 164 g (.36 lb)
 Finish: Black Anodized
 Operating Temperature: 0-60°C
 Meets Specifications: CE, RoHS

Standard Product Information

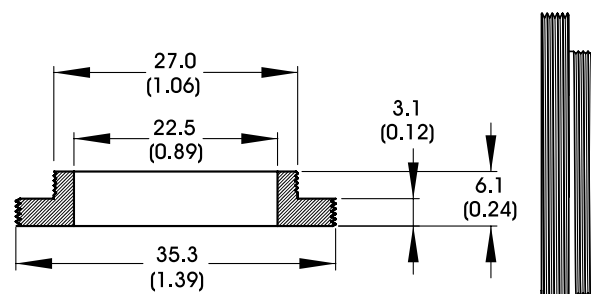
White	Max. Illumination	Irradiance (mW/cm ²)	Illuminance (Lux)
	Working Distance: 75mm	4.1	15, 850
	Working Distance: 150mm	1.52	5, 750
	Lifetime	50,000 hrs	

Threaded Ring Adapters (optional)



TA25.5-35.5

35.5MM X .05MM THREADING
 25.5MM X .05MM THREADING



TA27-35.5

35.5MM X .05MM THREADING
 27MM X .05MM THREADING