

# RL2316

## Bright Field Ring Light



- Aii** Light weight, super efficient space saving design
- Aii** Axial light source designed for small, non-specular objects or inspections with limited space

### Ordering Information

Standard Product:  
Shipped Next Day

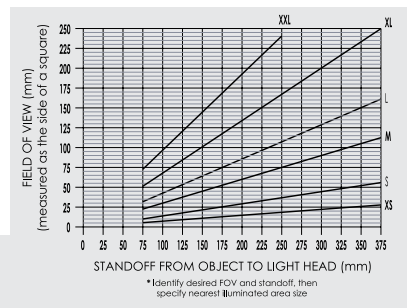
**RL2316-660100L**

Configured for use with Ai Power Supply

Standard Product Variation:  
Shipped Within Two Weeks

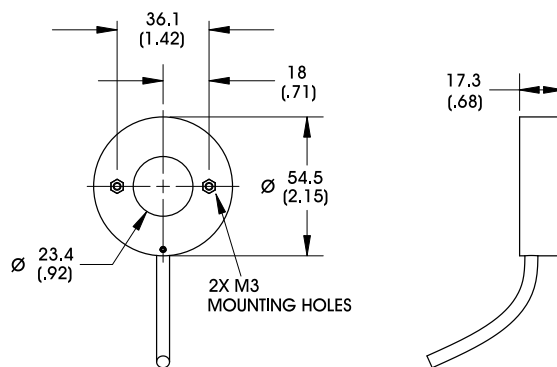
RL2316	-	Spectral wavelength	Stand off	Field of view	Optional power Compatibility	Optional Light Conditioning	Alternative Connector
		XXX	XXX	XXX	XX	X	XXX
		(UV) 395 <sup>◇</sup> (blue) 470 <sup>†</sup> (green) 520 <sup>†</sup> (yellow) 590 (orange) 625 (red) 660 (infra-red) 880 (white) WHI <sup>†</sup>	See chart to Compute standoff.	XXL XL L M S XS	IS C2 C3 12 24	D (Diffuser) P (Polarizer)	M12*

IS = ISU (requires 24v power supply)  
C2 = Ai Connector  
C3 = Pulsar 710 Connector  
\* Available with 24v option only  
† Not available in 12v



◇ UV LEDs have a considerably shorter half-life than other LEDs (<1000hrs). For this reason Ai recommends these LEDs be used in strobe mode only. For applications requiring continuous 24v power, contact Ai for assistance.

### Dimensional Information



[Click for Installation Models & Drawings](#)

Cable Length: 1.5 Meters (59")

DIMENSIONS ARE IN MILLIMETERS (INCHES)

### Standard Variation Current Specifications

	blue	green	yellow	orange	red	infra-red	white	RGB	
@12	N/A	N/A	80	80	120	130	N/A	N/A	mA
@24	80	80	40	40	60	70	80	N/A	mA

### Standard Product Information

Product Lifetime: 50,000 hours

Operating Temperature: 0-60° C