

# RL3940

## Apposelite



- Aii** Low angle illumination in a compact 100mm diameter housing.
- Aii** Solves a wide array of imaging problems where low angle of incidence, radial illumination is required.

### Ordering Information

Standard Product:  
Shipped Next Day

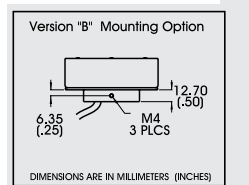
Standard Product Variation:  
Shipped Within Two Weeks

#### RL3940-660

Configured for use with Ai  
Power Supply

#### Optimal working distance:

12.7mm (.5")  
up to 152.4mm (6")

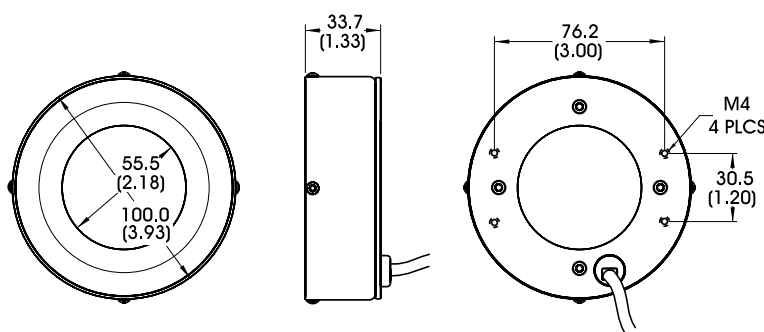


Spectral wavelength	Optional power Compatibility	Alternative Connector
XXX	XX	XXX
(UV) 395 <sup>◇</sup>	IC	M12*
(blue) 470 <sup>†</sup>	IS	
(green) 520 <sup>†</sup>	C2	
(yellow) 590	C3	
(orange) 625	C5	
(red) 660	12	
(infra-red) 880	24	
(white) WHI <sup>†</sup>		

IC = ICS (requires 24v power supply)  
IS = ISU (requires 24v power supply)  
C2 = Ai Connector  
C3 = Pulsar 710 Connector  
C5 = Pulsar 320 Connector  
\* Available with IC, IS, and 24v options only  
† Not available in 12v

◇ UV LEDs have a considerably shorter half-life than other LEDs (<1000hrs). For this reason Ai recommends these LEDs be used in strobe mode only. For applications requiring continuous 24v power, contact Ai for assistance.

### Dimensional Information



[Click for Installation Models & Drawings](#)

Includes Mounting Bracket (Part # CB092)

DIMENSIONS ARE IN MILLIMETERS (INCHES)

#### Standard Variation Current Specifications

	blue	green	yellow	orange	red	infra-red	white	RGB	
@12	N/A	N/A	200	200	360	420	N/A	N/A	mA
@24	280	280	120	120	180	240	280	N/A	mA

#### Standard Product Information

Product Lifetime:	50,000 hours
Operating Temperature:	0-60° C